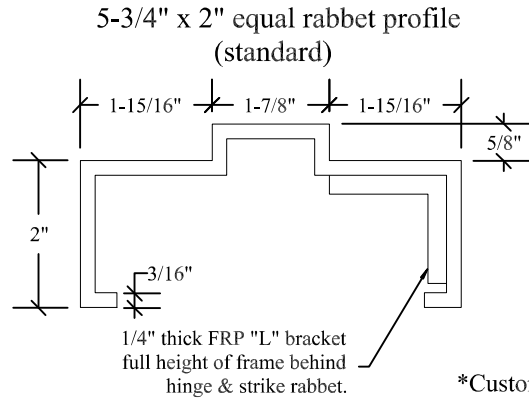
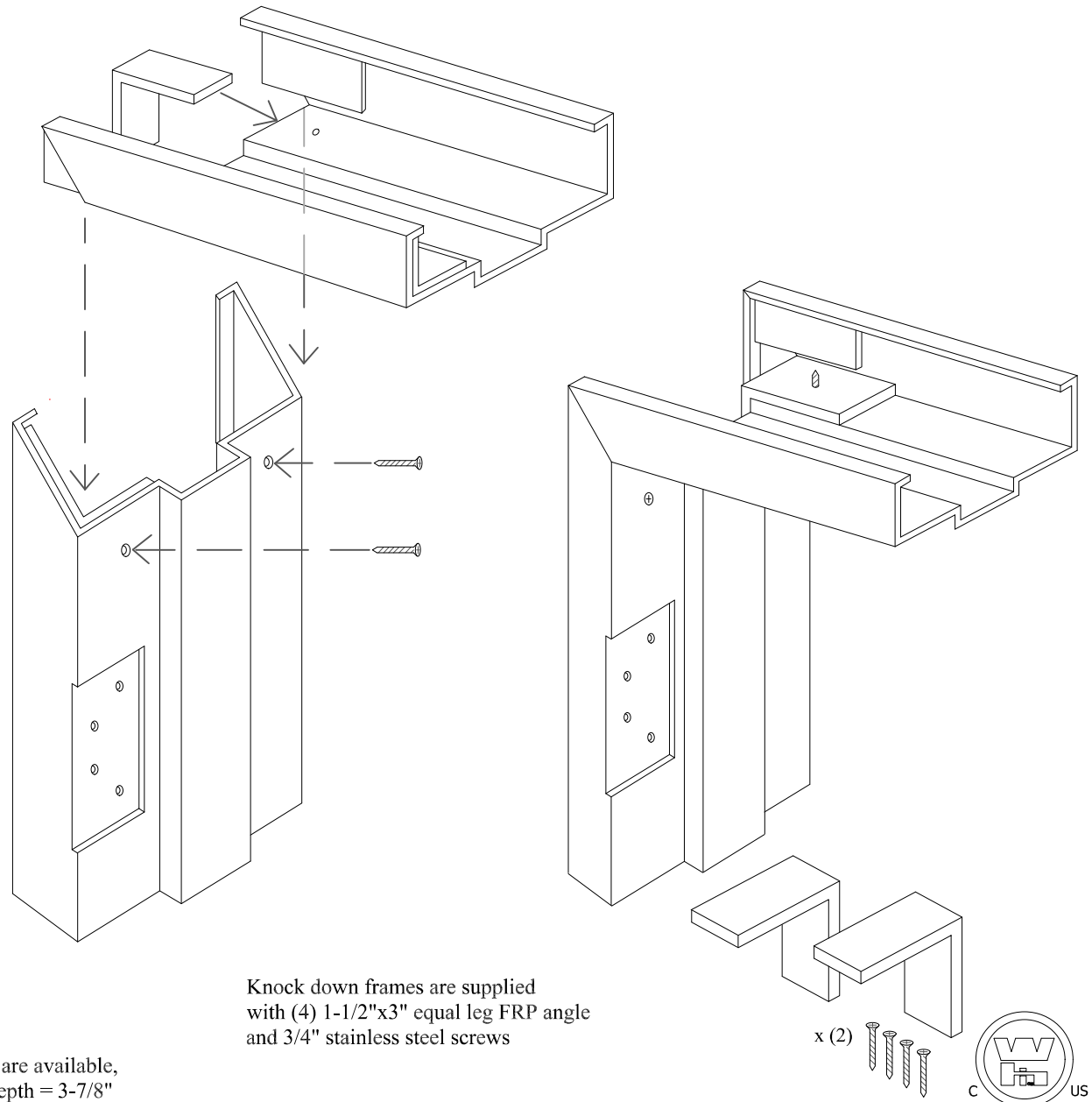


90 Minute Fire-rated Frame


Specifications

Frames for EF (fire) series fiberglass frames to be manufactured from 0.1875 inch (4.8mm) thick fiberglass pultrusions by Edgewater Door Neenah, Wisconsin. Profile shall be of standard hollow metal type, for installation into masonry poured/block walls only. Frames fabricated with mitered corners, drilled and countersunk for #12 wood screws. Supplied with (4) FRP corner brackets to be installed in frame rabbets and secured with 3/4" stainless wood screws. 45, 60 and 90 minute doors are supplied with 90 minute FRP frames. Labeled frames meet NAMI listings and approvals. It is the End User's responsibility to ensure all components used in the openings meet or exceed the fire ratings required.



*Custom profiles are available,
 minimum jamb depth = 3-7/8"
 maximum jamb depth = 8-3/4"

Frames machined for ANSI preps, unless specified in hardware schedule wood screws recommended for hardware installation

Certified to: NFPA 252, UL10C 

	DRAWING NAME: EF SERIES KNOCK DOWN FRAME	FOR MORE INFORMATION CALL 920-886-1995 OR VISIT US AT edgewaterdoor.com	DATE: 9/2021	SCALE: NONE	REV: 0 DATE:
		DRAWN BY: Chris Martin	PAGE: 1 of 1		