

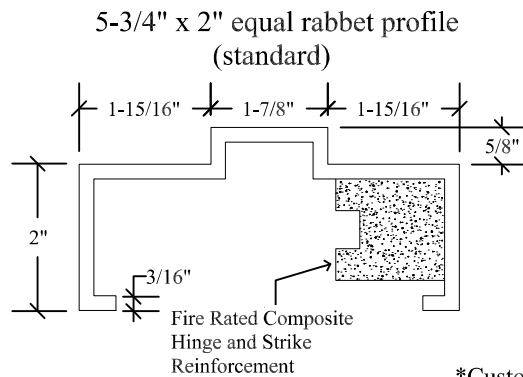
90 Minute Fire-rated Frame

Specifications

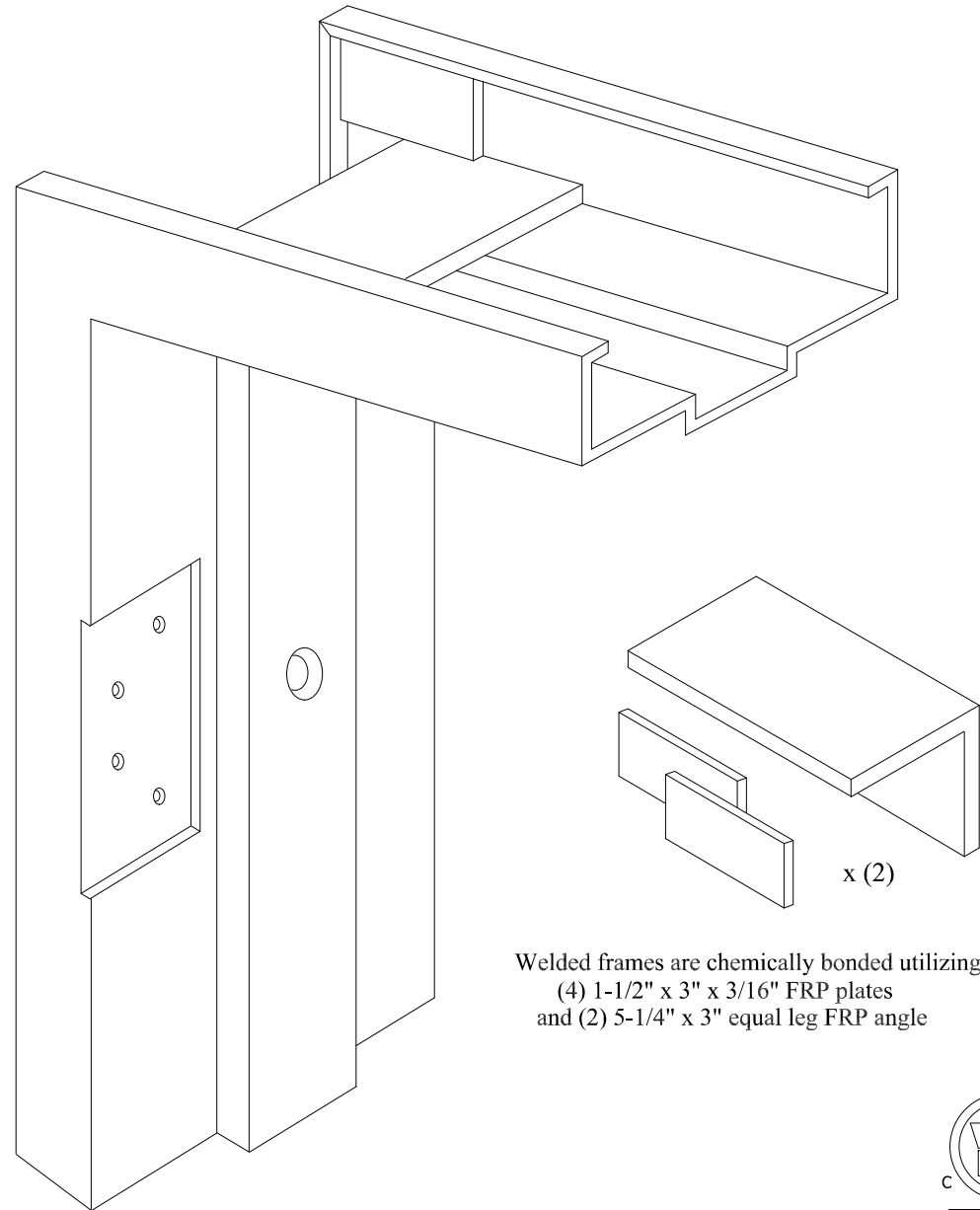
Frames for EF (fire) series fiberglass frames to be manufactured from 0.1875 inch (4.8mm) thick fiberglass pultrusions by Edgewater Door Neenah, Wisconsin. Profile shall be of standard hollow metal type, for installation into masonry poured/block walls only. Frames fabricated with mitered corners, and chemically welded at the factory for seamless look.

45, 60 and 90 minute doors are supplied with 90 minute FRP frames. Labeled frames meet NAMI listings and approvals. It is the End User's responsibility to ensure all components used in the openings meet or exceed the fire ratings required.

(set-up and resin welded frames will ship with temporary spreader bar)



*Custom profiles are available,
minimum jamb depth = 3-7/8"
maximum jamb depth = 8-3/4"



Welded frames are chemically bonded utilizing
(4) 1-1/2" x 3" x 3/16" FRP plates
and (2) 5-1/4" x 3" equal leg FRP angle



Certified to: NFPA 252, UL10C

Intertek

Frames machined for ANSI preps,
unless specified in hardware schedule
wood screws recommended for hardware installation



DRAWING NAME: EF SERIES
WELDED FRAME

FOR MORE INFORMATION
CALL 920-886-1995
OR VISIT US AT
edgewaterdoor.com

DATE: 5/2010	SCALE: NONE	REV: 1 DATE: 9/2021
DRAWN BY: Chris Martin		PAGE: 1 of 1