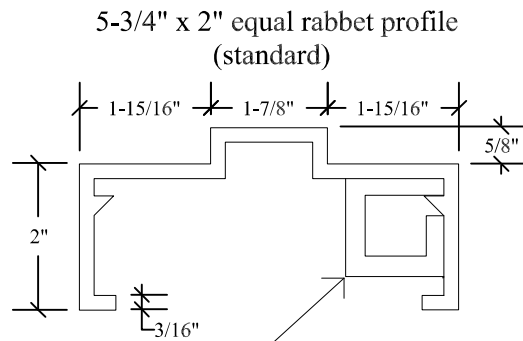
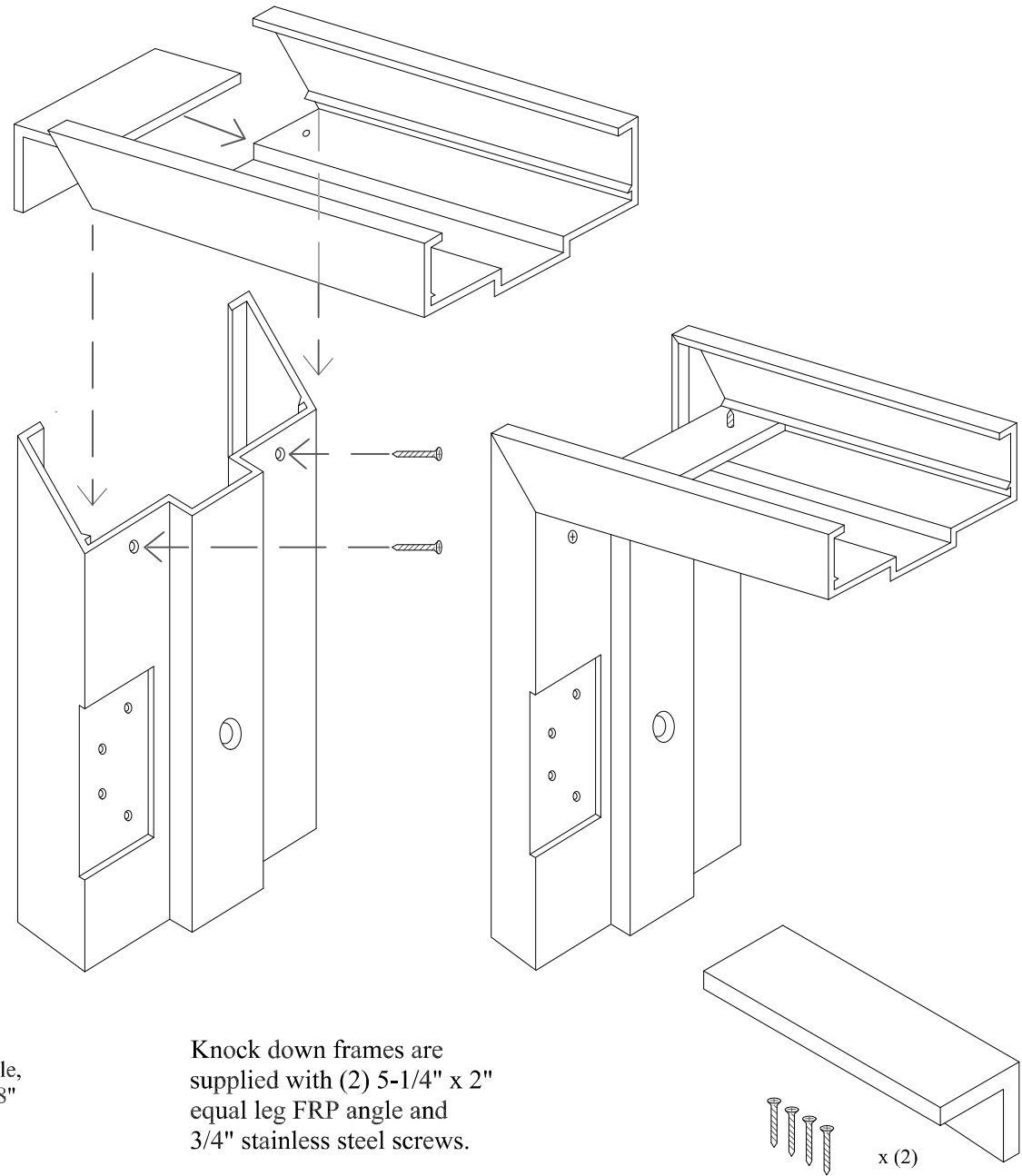


Non-Rated KD Frame

Specifications

Frames for ES (standard), and EP (premier) series fiberglass doors to be manufactured from 0.1875 inch (4.8mm) thick fiberglass pultrusions by Edgewater Door, Neenah, Wisconsin. Profile shall be of standard hollow type to permit installation into new concrete or block walls, as well as slip-on for drywall applications. Frames fabricated with mitered corners, drilled and countersunk for #12 wood screws. Supplied with FRP corner brackets to be installed in frame rabbets and secured with 3/4" stainless wood screws. Reinforcements may vary to work with wall applications. Frames supplied with plaster guards or mortar boxes at back of hardware cutouts where mortar or other materials might obstruct hardware operation.



1-1/2" x 1-1/2" x 1/4" Hinge & strike reinforcement

*continuous hinges do not require reinforcement

*Custom profiles are available, minimum jamb depth = 3-7/8" maximum jamb depth = 12"

Knock down frames are supplied with (2) 5-1/4" x 2" equal leg FRP angle and 3/4" stainless steel screws.

Frames machined for ANSI preps, unless specified in hardware schedule wood screws recommended for hardware installation



DRAWING NAME: **ES SERIES
KNOCK DOWN FRAME**

FOR MORE INFORMATION
CALL 920-886-1995
OR VISIT US AT
edgewaterdoor.com

DATE: 12/2003	SCALE: NONE	REV: 1 DATE: 5/2018
DRAWN BY: Chris Martin		PAGE: 1 of 1