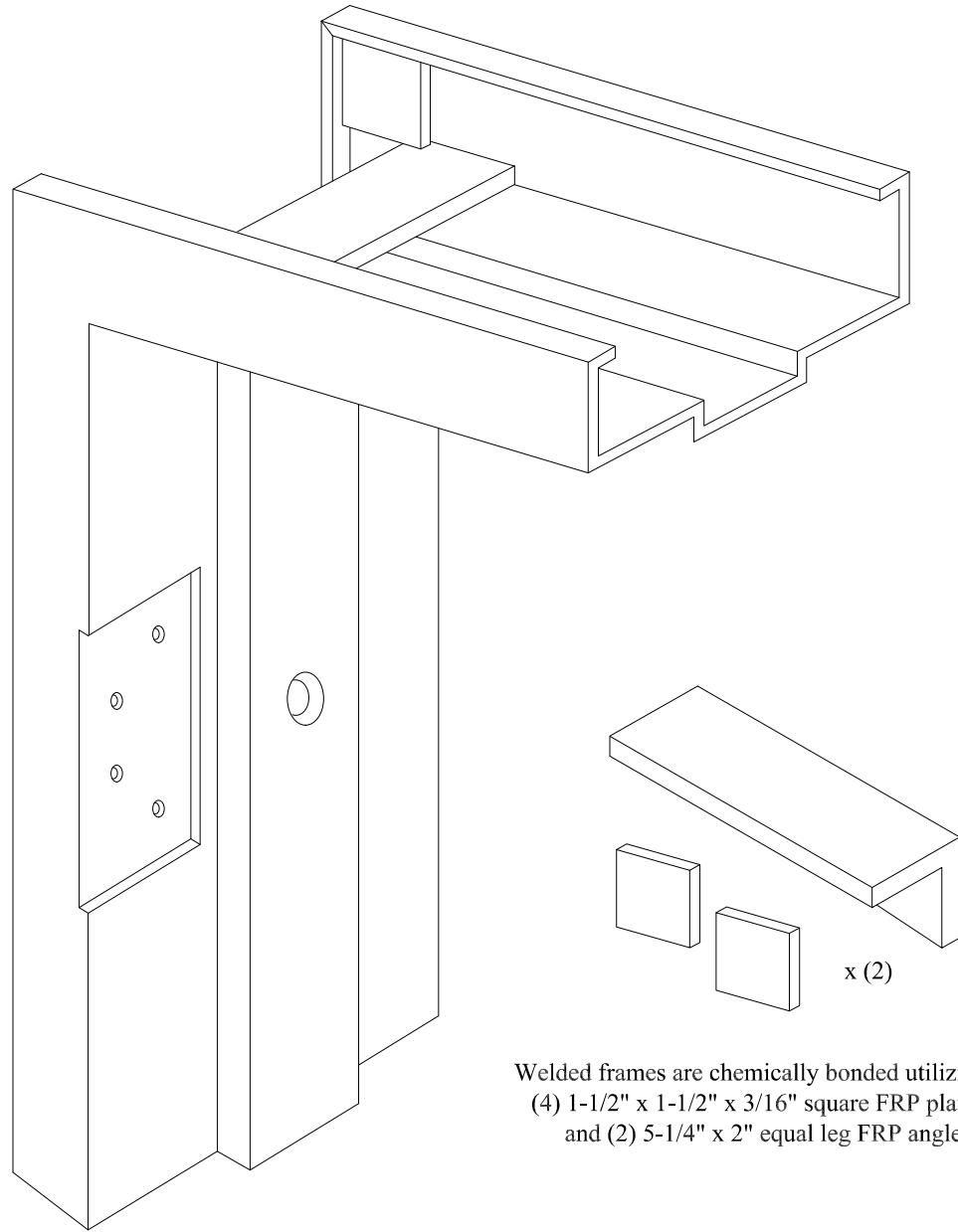


Non-Rated Frame

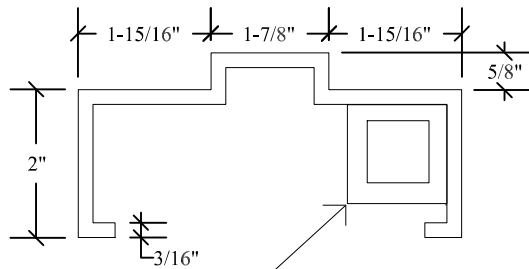
Specifications

Frames for ES (standard), and EP (premier) series fiberglass frames to be manufactured from 0.1875 inch (4.8mm) thick fiberglass pultrusions by Edgewater Door, Neenah, Wisconsin. Profile shall be of standard hollow type to permit installation into new concrete or block walls, as well as slip-on for drywall applications. Frames fabricated with mitered corners, and chemically welded at the factory for seamless look. Frames supplied with plaster guards or mortar boxes at back of hardware cutouts where mortar or other materials might obstruct hardware operation.

(set-up and resin welded frames will ship with temporary spreader bar)



5-3/4" x 2" equal rabbet profile
(standard)



1-1/2" x 1-1/2" x 1/4" Hinge & strike reinforcement

*continuous hinges do not require reinforcement

*Custom profiles are available,
minimum jamb depth = 3-7/8"
maximum jamb depth = 12"

Frames machined for ANSI preps,
unless specified in hardware schedule
wood screws recommended for hardware installation



DRAWING NAME: **ES SERIES
WELDED FRAME**

FOR MORE INFORMATION
CALL 920-886-1995
OR VISIT US AT
edgewaterdoor.com

DATE: 12/2003	SCALE: NONE	REV: 0 DATE:
DRAWN BY: Chris Martin		PAGE: 1 of 1