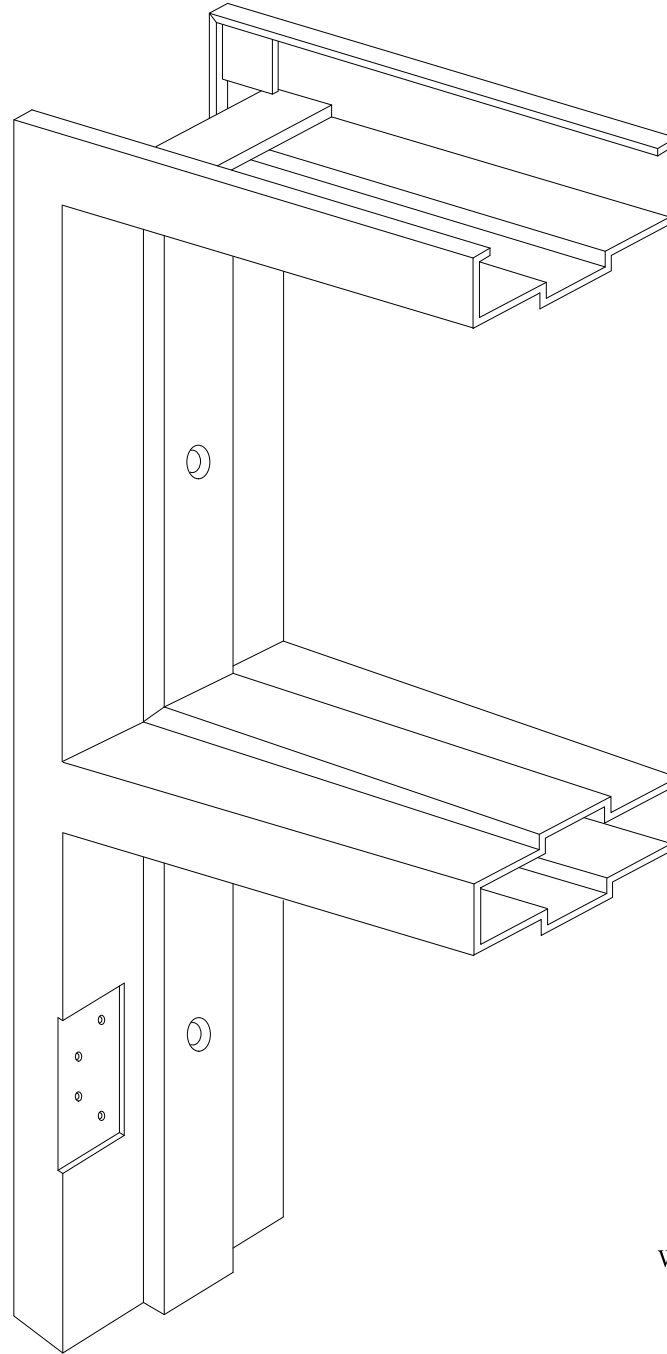


Non-Rated Frame

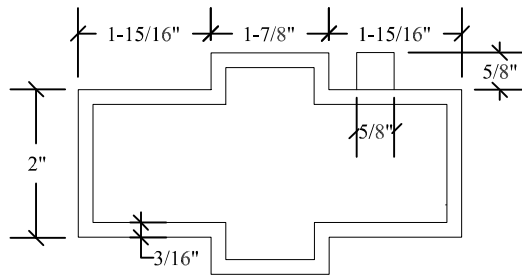
Specifications

Frames for ES (standard), and EP (premier) series fiberglass frames to be manufactured from 0.1875 inch (4.8mm) thick fiberglass pultrusions by Edgewater Door, Neenah, Wisconsin. Profile shall be of standard hollow type to permit installation into new concrete or block walls, as well as slip-on for drywall applications. Frames fabricated with mitered corners, and chemically welded at the factory for seamless look. Frames supplied with plaster guards or mortar boxes at back of hardware cutouts where mortar or other materials might obstruct hardware operation.

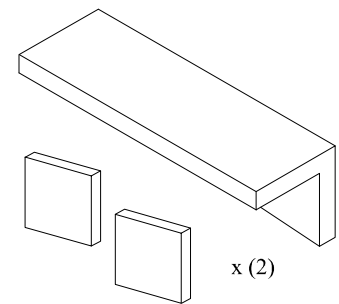
(set-up and resin welded frames will ship with temporary spreader bar)



5-3/4" x 2" equal rabbet profile (standard)



5/8"x5/8" lite stops are shipped loose to be installed in the field.



Welded frames are chemically bonded utilizing (4) 1-1/2" x 1-1/2" x 3/16" square FRP plates and (2) 5-1/4" x 2" equal leg FRP angle

Frames machined for ANSI preps, unless specified in hardware schedule wood screws recommended for hardware installation

	DRAWING NAME: ES SERIES WELDED TRANSOM FRAME	FOR MORE INFORMATION CALL 920-886-1995 OR VISIT US AT edgewaterdoor.com		DATE: 12/2003	SCALE: NONE	REV: 0 DATE:
		DRAWN BY: Chris Martin		PAGE: 1 of 1		