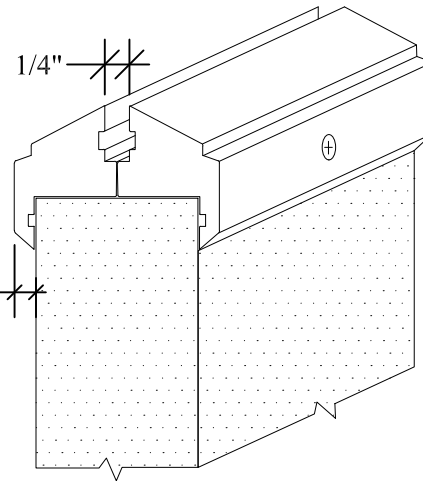
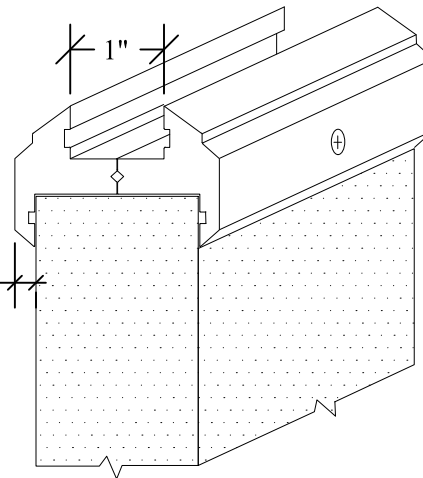


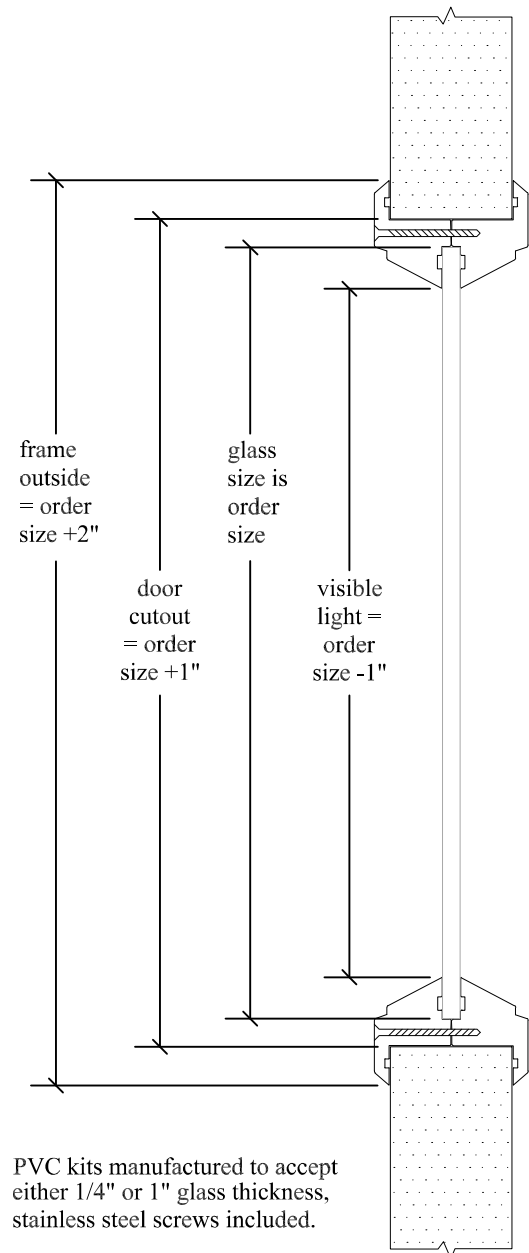
2-piece kit,  
screws on secure  
side of door only



3/16"



3/16"



frame outside  
= order  
size +2"

glass  
size is  
order  
size

door  
cutout  
= order  
size +1"

visible  
light =  
order  
size -1"

Light colors recommended for PVC kits.  
Dark paint may cause heat absorption causing distortion of frame.  
PVC frames not recommended in direct sunlight or where heat build up may occur.

PVC kits manufactured to accept  
either 1/4" or 1" glass thickness,  
stainless steel screws included.



DRAWING NAME:

PVC Lite Kit

FOR MORE INFORMATION  
CALL 920-886-1995  
OR VISIT US AT  
edgewaterdoor.com

DATE: 2/2010	SCALE: NONE	REV: 0 DATE:
-----------------	----------------	-----------------

DRAWN BY:  
Chris Martin

PAGE:  
1 of 1