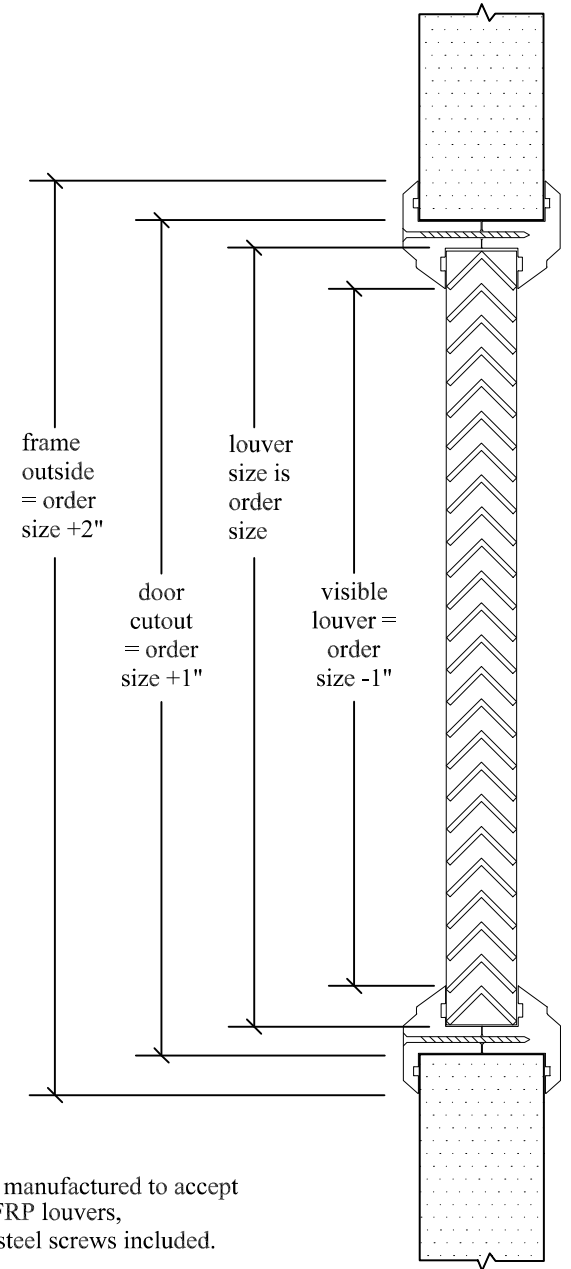
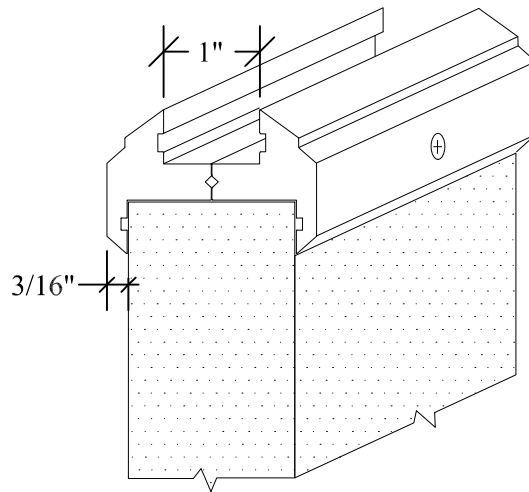


2-piece kit,
screws on secure
side of door only



Light colors recommended for PVC kits.
Dark paint may cause heat absorption causing distortion of frame.
PVC frames not recommended in direct sunlight or where heat build up may occur.

PVC kits manufactured to accept
1" thick FRP louvers,
stainless steel screws included.



DRAWING NAME: **Inverted "V"
FRP louver**

FOR MORE INFORMATION
CALL 920-886-1995
OR VISIT US AT
edgewaterdoor.com

DATE: 2/2010	SCALE: NONE	REV: 0 DATE:
DRAWN BY: Chris Martin		PAGE: 1 of 1