

*Please note for modified unequal jamb depths:

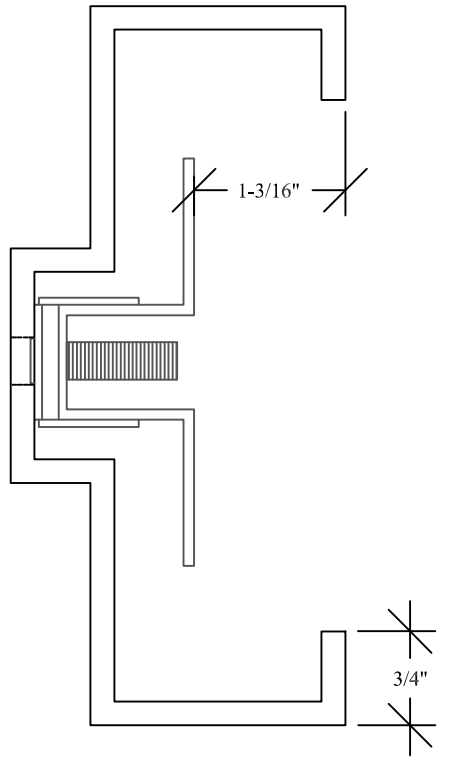
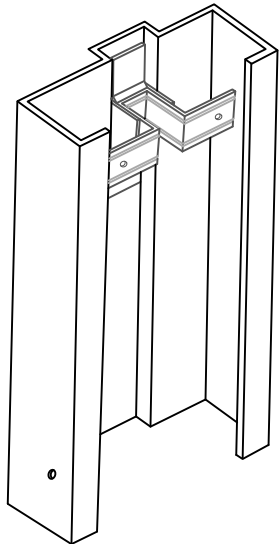
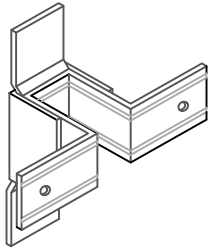
*Please note for modified equal jamb depths:

*Please note for 5-3/4" jamb depth:

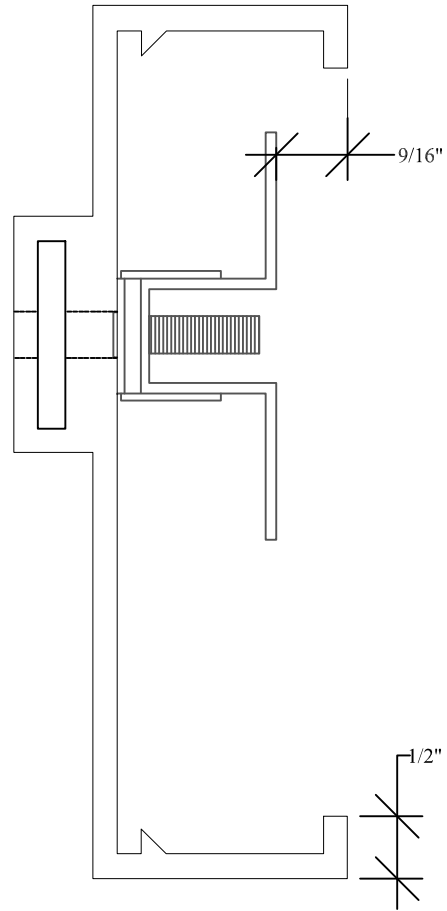
Rough opening size =
 Inside Frame Width (Nominal Opening) + 2-1/4"
 Inside Frame Height (Nominal Opening) + 3/4"

Rough opening size =
 Inside Frame Width (Nominal Opening) + 3"
 Inside Frame Height (Nominal Opening) + 3/4"

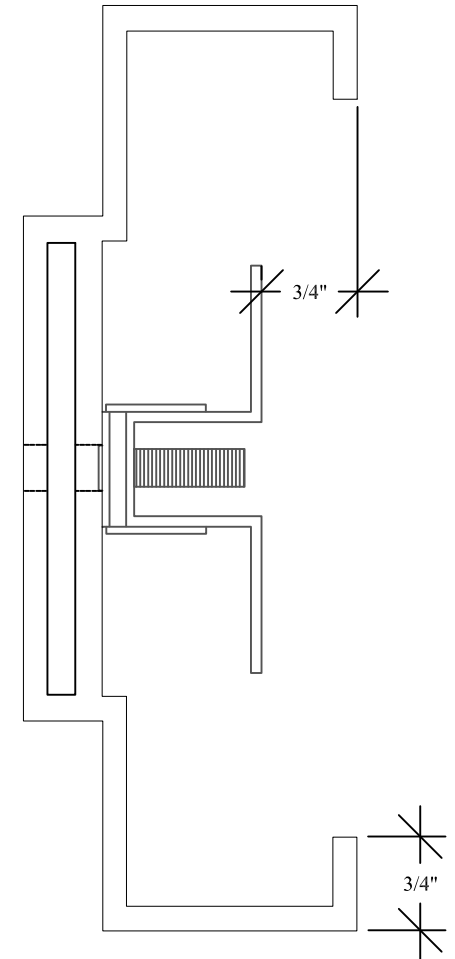
Rough opening size =
 Inside Frame Width (Nominal Opening) + 2-5/8"
 Inside Frame Height (Nominal Opening) + 3/4"



Equal Rabbet 5-3/4" (standard)



Unequal Rabbet 4-1/2" - 8-15/16"



Equal Rabbet 9" - 12"

Drywall Frames



DRAWING NAME:

COMPRESSION ANCHOR

FOR MORE INFORMATION
 CALL 920-886-1995
 OR VISIT US AT
 edgewaterdoor.com

| | | |
|---------------------------|----------------|-----------------|
| DATE: 12/2003 | SCALE: NONE | REV: 0 DATE: |
| DRAWN BY: Chris Martin | | PAGE: 1 of 1 |