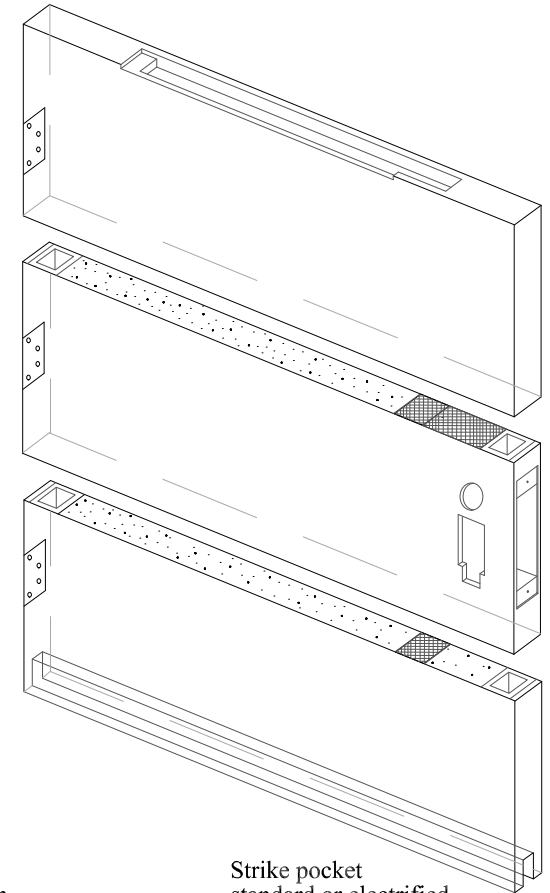
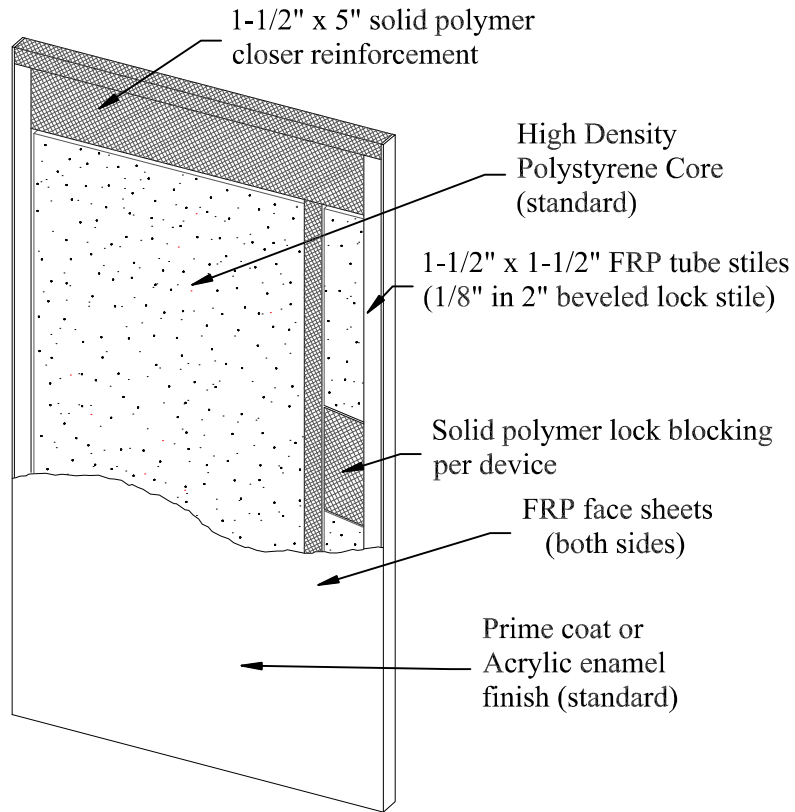
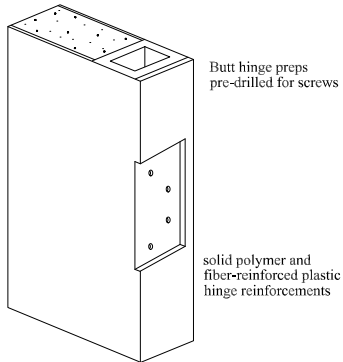


Heavy Duty Specifications

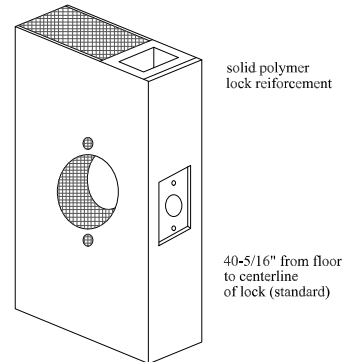
Doors shall be ES series Manufactured by Edgewater Door, Neenah, Wisconsin. Doors shall be of full flush construction 1-3/4" in thickness, manufactured utilizing polyethylene & fiberglass components for flexibility, durability, superior strength and chemical resistance. Laminated composite door faces shall be urethane fused to the stile and rail assembly, including the vertical stiffeners and surface area of core material, utilizing a two-part 100 percent reactive urethane adhesive, and then cured under pressure until completely bonded. Both lock and hinge stiles and top and bottom rails of the door shall be filled and ground smooth for a completely sealed construction. Doors shall have a beveled (1/8" in 2") lock edge.



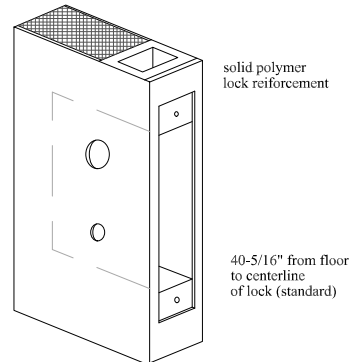
Hinge pockets standard or heavy weight



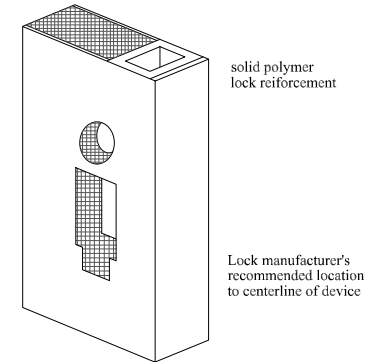
161 or 161TB cylindrical prep



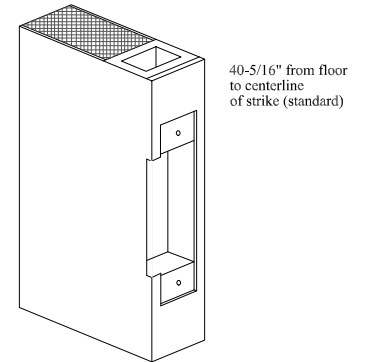
86 Mortise lock prep per function



Panic device prep per function



Strike pocket standard or electrified



Doors machined for ANSI preps, unless specified in hardware schedule. Thru-bolting closers & wood screws are recommended for hardware installation



DRAWING NAME:

ES SERIES DOOR

FOR MORE INFORMATION
CALL 920-886-1995
OR VISIT US AT
edgewaterdoor.com

DATE: 12/2003	SCALE: NONE	REV: 2 DATE: 3/2021
DRAWN BY: Chris Martin		PAGE: 1 of 1