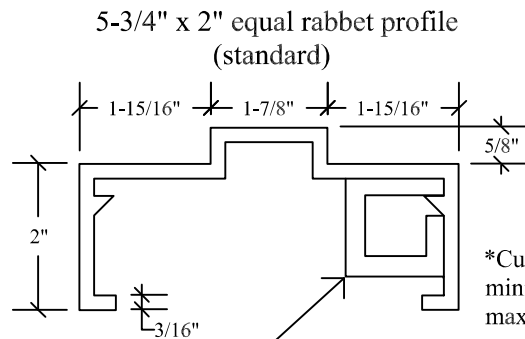
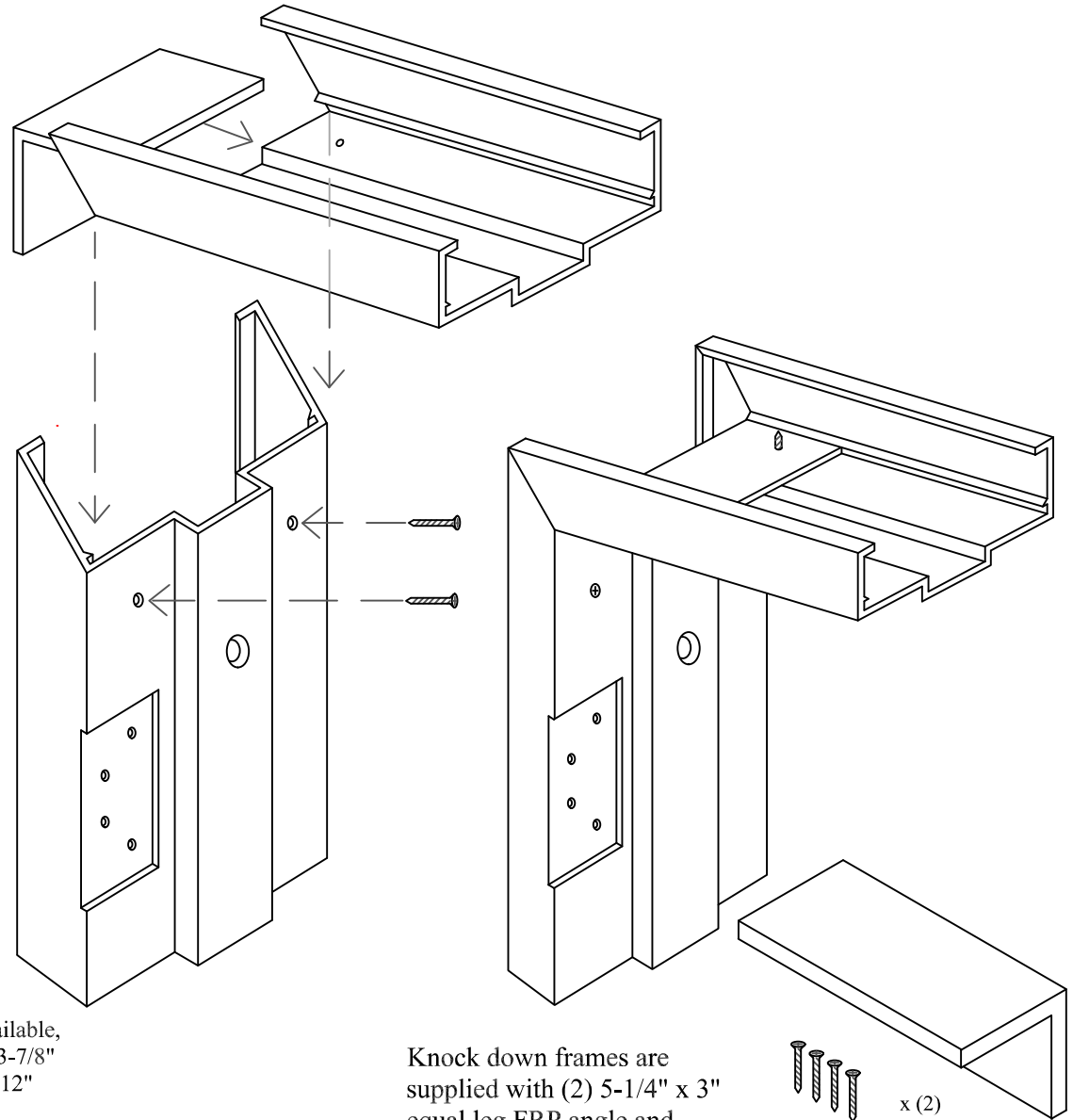


Hurricane-Rated KD Frame

Specifications

Frames for EH series fiberglass doors to be manufactured from 0.1875 inch (4.8mm) thick fiberglass pultrusions by Edgewater Door, Neenah, Wisconsin. Profile shall be of standard hollow type to permit installation into new concrete or block walls, as well as slip-on for drywall applications. Frames fabricated with mitered corners, drilled and countersunk for #12 wood screws. Supplied with FRP corner brackets to be installed in frame rabbets and secured with 3/4" stainless wood screws. Reinforcements may vary to work with wall applications. Frames supplied with plaster guards or mortar boxes at back of hardware cutouts where mortar or other materials might obstruct hardware operation. Labeled frames meet NAMI listings and approvals. It is the end users responsibility to ensure all components used in the opening meet or exceed the hurricane ratings required.



1-1/2" x 1-1/2" x 1/4" Hinge & strike reinforcement
*continuous hinges do not require reinforcement

*Custom profiles are available, minimum jamb depth = 3-7/8" maximum jamb depth = 12"

Tests performed to meet Florida building codes FBC and Texas TDI requirements

Knock down frames are supplied with (2) 5-1/4" x 3" equal leg FRP angle and 1-3/4" stainless steel screws.



ASTM E283 air infiltration
ASTM E331 water infiltration
ASTM E330 structural wind load 30 PSF over design pressure 105 PSF
ASTM E1886 / 1996 cyclic wind load for design pressure of +/- 70 PSF
ASTM E1886 / 1996 large missile impact level D



Intertek

Frames machined for ANSI preps, unless specified in hardware schedule wood screws recommended for hardware installation

ADA compliance - single point latching on single doors



DRAWING NAME: EH SERIES
KNOCK DOWN FRAME

FOR MORE INFORMATION
CALL 920-886-1995
OR VISIT US AT
edgewaterdoor.com

DATE: 6/2022	SCALE: NONE	REV: 1 DATE: 5/2018
DRAWN BY: Chris Martin		PAGE: 1 of 1