

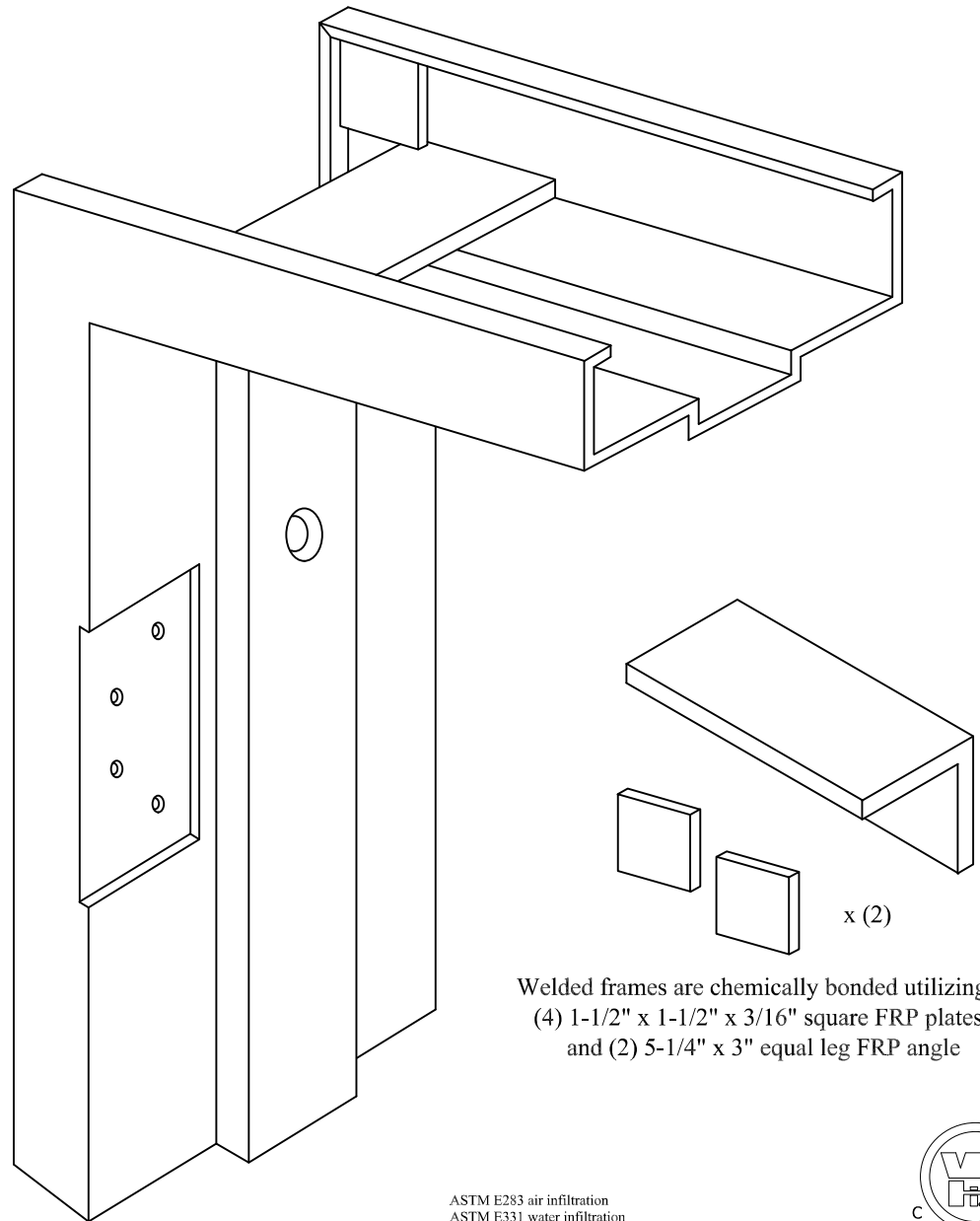
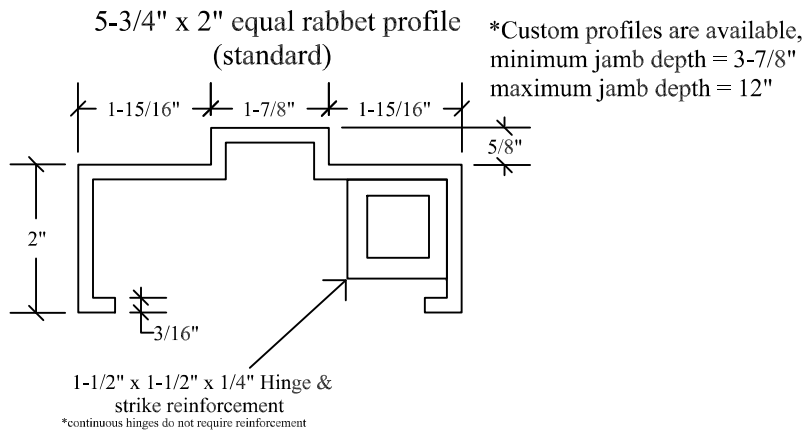
Hurricane-Rated Frame

Specifications

Frames for EH series fiberglass frames to be manufactured from 0.1875 inch (4.8mm) thick fiberglass pultrusions by Edgewater Door, Neenah, Wisconsin. Profile shall be of standard hollow type to permit installation into new concrete or block walls, as well as slip-on for drywall applications. Frames fabricated with mitered corners, and chemically welded at the factory for seamless look. Frames supplied with plaster guards or mortar boxes at back of hardware cutouts where mortar or other materials might obstruct hardware operation. Labeled frames meet NAMI listings and approvals. It is the End User's responsibility to ensure all components used in the opening meet or exceed the hurricane ratings required.

(set-up and resin welded frames will ship with temporary spreader bar)

Tests performed to meet Florida building codes FBC and Texas TDI requirements



Welded frames are chemically bonded utilizing (4) 1-1/2" x 1-1/2" x 3/16" square FRP plates and (2) 5-1/4" x 3" equal leg FRP angle x (2)

ASTM E283 air infiltration
 ASTM E331 water infiltration
 ASTM E330 structural wind load 30 PSF over design pressure 105 PSF
 ASTM E1886 / 1996 cyclic wind load for design pressure of +/- 70 PSF
 ASTM E1886 / 1996 large missile impact level D



Intertek

Frames machined for ANSI preps, unless specified in hardware schedule wood screws recommended for hardware installation

ADA compliance - single point latching on single doors

	DRAWING NAME: EH SERIES WELDED FRAME	FOR MORE INFORMATION CALL 920-886-1995 OR VISIT US AT edgewaterdoor.com	DATE: 6/2022	SCALE: NONE	REV: 0
			DRAWN BY: Chris Martin	PAGE: 1 of 1	